



Innovative Technology

POWERING TRANSACTIONS AND INTERACTIONS

CBA11

“Cost effective compact bill recycler ideal for vending”



- Cost effective compact bill recycler
- Exceptional field reliability
- Significantly reduces operational costs

Features

- 30 note single denomination recycler
- Enhanced sensing technology
- Proven field reliability
- MDB remote download
- Free, fast & easy firmware updates high speed bill acceptance
- All bills in the Note Float can be transferred to the cashbox for easy collection

Benefits

- Maximises cash efficiency and reduces coin starvation
- Cost effective bill validator
- High acceptance rate - ideal for vending
- Update over comms line
- Future proof - update via USB, PC or handheld programmer
- Lowest operator collection costs

Technical Specification

Power

Requirements: 12V
Standby: 350mA
Running: 1A
Peak: 3,5A

Protocols

SSP MDB
ccTalk

Interfaces

USB
Open Collector

Bill Dimensions

Width: 60 - 82mm
Length: 115 - 150mm

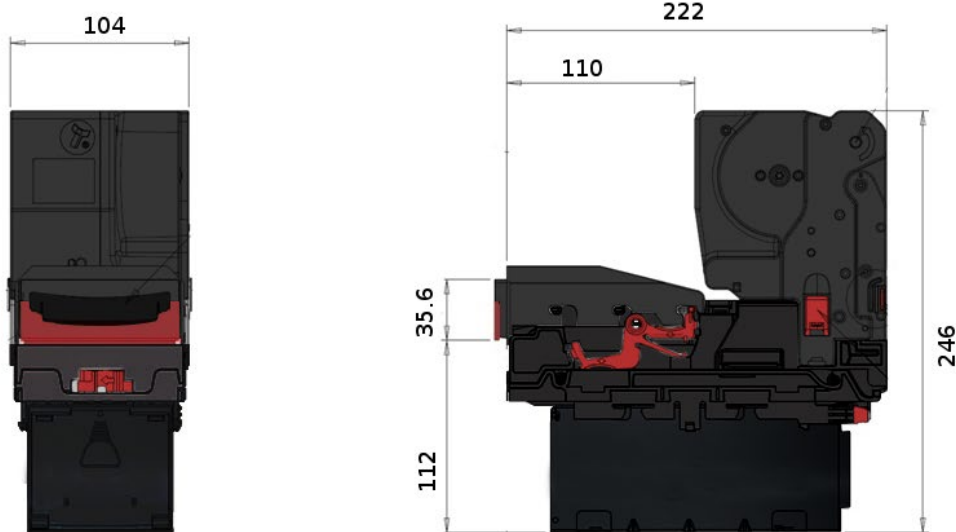
Cashbox Options

300 / 600 clip
300 / 600 slide

Recycler Capacity

30 bills

Dimensions



- Weight: 2.2kg